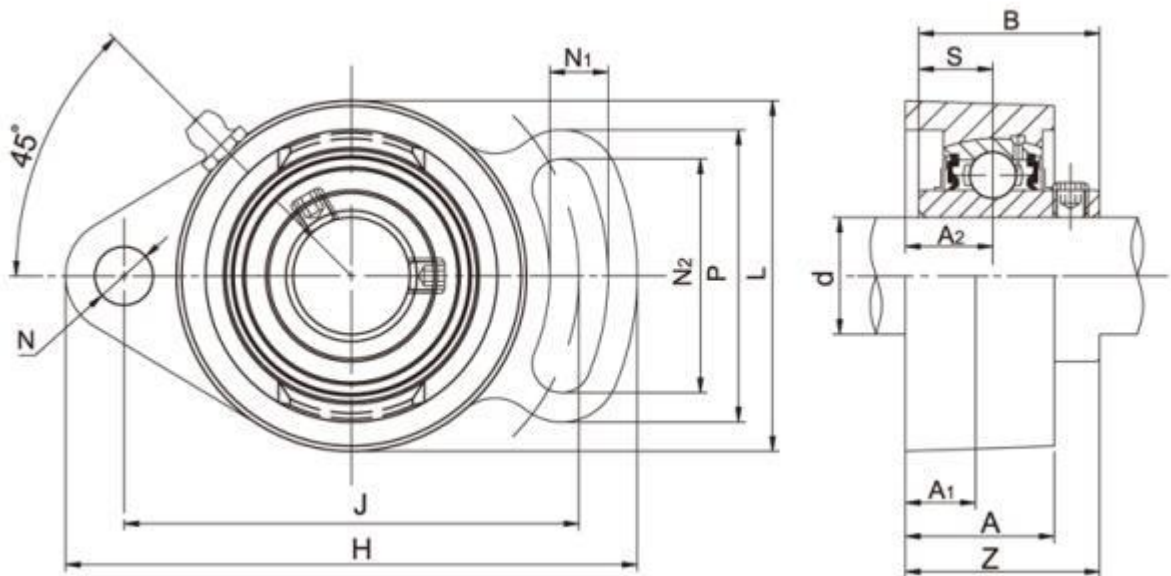


Adjustable Flange Bearing Units is one design of mounted ball bearing unit, UCFA2 is the suffix of this type bearing unit, the bearing unit have UC chrome steel pillow block bearings and FA housing with cast iron materials.

The bearing UC Series insert bearing have the same internal structure with deep groove ball bearing, but the insert bearing have the spherical outer surface of the outer ring and the wider inner ring.



Unit No.	Shaft Dia		Dimensions (mm)													Bolt Size (mm)	Weight (kg)
	d		H	J	A2	A1	A	N	N1	N2	L	P	B	S	Z		
	(in)	(mm)															
UCFA201		12	98	78	15	12	25.5	10	10	40	60	50	31	12.7	33.3	M8	0.53
UCFA201-8	1/2		98	78	15	12	25.5	10	10	40	60	50	31	12.7	33.3	M8	0.53
UCFA202		15	98	78	15	12	25.5	10	10	40	60	50	31	12.7	33.3	M8	0.49
UCFA202-9	9/16		98	78	15	12	25.5	10	10	40	60	50	31	12.7	33.3	M8	0.49
UCFA202-10	5/8		98	78	15	12	25.5	10	10	40	60	50	31	12.7	33.3	M8	0.49
UCFA203		17	98	78	15	12	25.5	10	10	40	60	50	31	12.7	33.3	M8	0.48
UCFA203-11	11/16		98	78	15	12	25.5	10	10	40	60	50	31	12.7	33.3	M8	0.48

UCFA204		20	98	78	15	12	25.5	10	10	40	60	50	31	12.7	33.3	M8	0.46
UCFA204-12	3/4		98	78	15	12	25.5	10	10	40	60	50	31	12.7	33.3	M8	0.46
UCFA205		25	125	98	16	14	27	12	13	51	70	65	34.1	14.3	35.8	M10	0.69
UCFA205-14	7/8		125	98	16	14	27	12	13	51	70	65	34.1	14.3	35.8	M10	0.69
UCFA205-15	15/16		125	98	16	14	27	12	13	51	70	65	34.1	14.3	35.8	M10	0.69
UCFA205-16	1		125	98	16	14	27	12	13	51	70	65	34.1	14.3	35.8	M10	0.69
UCFA206		30	142	117	18	14	31	12	13	58	83	72	38.1	15.9	40.2	M10	1.00
UCFA206-17	1-1/16		142	117	18	14	31	12	13	58	83	72	38.1	15.9	40.2	M10	1.00
UCFA206-18	1-1/8		142	117	18	14	31	12	13	58	83	72	38.1	15.9	40.2	M10	1.00
UCFA206-19	1-3/16		142	117	18	14	31	12	13	58	83	72	38.1	15.9	40.2	M10	1.00
UCFA206-20	1-1/4		142	117	18	14	31	12	13	58	83	72	38.1	15.9	40.2	M10	1.00
UCFA207		35	154	130	19	16	34	15	15	66	95	82	42.9	17.5	44.4	M12	1.50
UCFA207-20	1-1/4		154	130	19	16	34	15	15	66	95	82	42.9	17.5	44.4	M12	1.50
UCFA207-21	1-5/16		154	130	19	16	34	15	15	66	95	82	42.9	17.5	44.4	M12	1.50
UCFA207-22	1-3/8		154	130	19	16	34	15	15	66	95	82	42.9	17.5	44.4	M12	1.50
UCFA207-23	1-7/16		154	130	19	16	34	15	15	66	95	82	42.9	17.5	44.4	M12	1.50
UCFA208		40	172	144	21	16	38	15	15	71	105	87	49.2	19.0	51.2	M12	1.80
UCFA208-24	1-1/2		172	144	21	16	38	15	15	71	105	87	49.2	19.0	51.2	M12	1.80
UCFA208-25	1-9/16		172	144	21	16	38	15	15	71	105	87	49.2	19.0	51.2	M12	1.80
UCFA209		45	180	148	22	18	40	15	15	72	110	90	49.2	19.0	52.2	M14	2.10
UCFA209-26	1-5/8		180	148	22	18	40	15	15	72	110	90	49.2	19.0	52.2	M14	2.10
UCFA209-27	1-11/16		180	148	22	18	40	15	15	72	110	90	49.2	19.0	52.2	M14	2.10
UCFA209-28	1-3/4		180	148	22	18	40	15	15	72	110	90	49.2	19.0	52.2	M14	2.10
UCFA210		50	190	157	22	18	40	15	15	76	115	94	51.6	19.0	54.6	M14	2.30
UCFA210-30	1-7/8		190	157	22	18	40	15	15	76	115	94	51.6	19.0	54.6	M14	2.30

UCFA210-31	1-15/16		190	157	22	18	40	15	15	76	115	94	51.6	19.0	54.6	M14	2.30
UCFA210-32	2		190	157	22	18	40	15	15	76	115	94	51.6	19.0	54.6	M14	2.30
UCFA211		55	216	184	25	20	43	16	17	86	132	104	55.6	22.2	58.4	M14	3.60
UCFA211-32	2		216	184	25	20	43	16	17	86	132	104	55.6	22.2	58.4	M14	3.60
UCFA211-34	2-1/8		216	184	25	20	43	16	17	86	132	104	55.6	22.2	58.4	M14	3.60
UCFA211-35	2-3/16		216	184	25	20	43	16	17	86	132	104	55.6	22.2	58.4	M14	3.60

Shandong Guanxian FenQi Bearing Co., Ltd. (registered trademark FQN), located in Guanxian Industrial Park, Shandong Province, FQN is a professional manufacturer of mounted ball bearing Unit UCP, UCF, UCFL, UCFC, UCFB, UCPA, UCFA, UCFS, UCPH with cast iron housing, and mount bearing unit SUCP, SUCF, SUCFL, SUCH with stainless steel housing, as well as the insert bearing UC, UK, HC, SB, SA types, all the above mentioned we can supply metric and inch size standard, which are produced in strict accordance with the international quality system standard with excellent equipment and perfect detection means. High precision, high performance and high reliability are the tenets we always adhere to. Excellent product quality and zero quality defects are our goal.